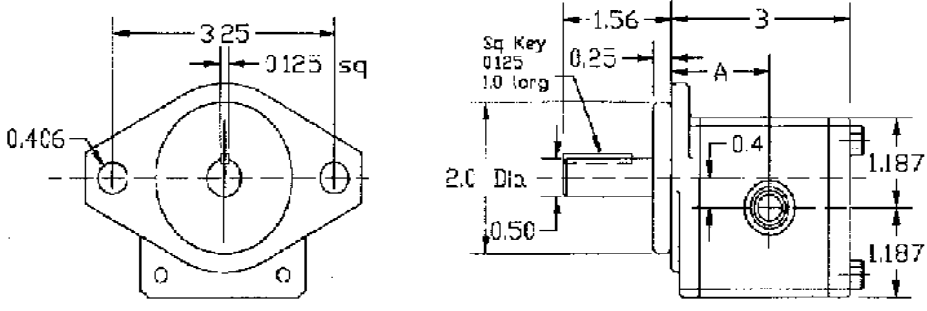


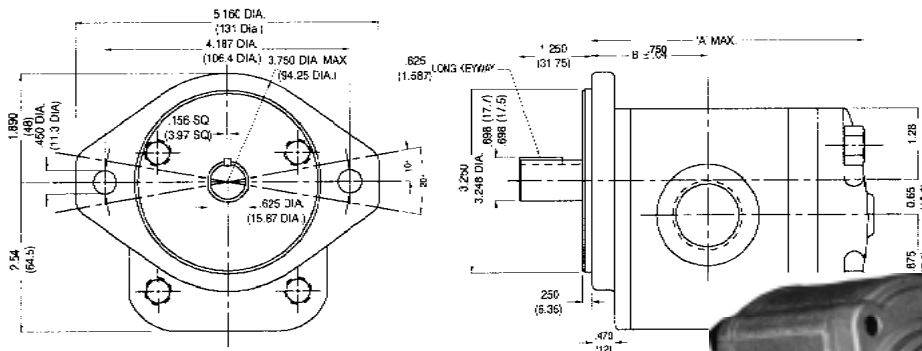


HIGH PRECISION 3500 PSI GEAR PUMP

SAE AA 2 BOLT



SAE A 2 BOLT



***Suitable for multiple applications:**

From low pressure lubrication/filter circuits to high pressure, heavy duty cylinders and motors.

Viton Seals Available

CONTACT ONE OF OUR REPRESENTATIVES FOR MORE INFORMATION

GEAR PUMP							ORDER INFORMATION		
MODEL	MOUNTING FLANGE	GPM @ 1750	MAXIMUM PRESSURE psi	SAE O-RING PORT SIZE		MAXIMUM SPEED rpm	REFERENCE	STOCK NUMBER	PRICE
				inlet	outlet				
GLFP050	SAE AA 2 BOLT	.60	3000	-8	-6	4000	P101RU	1L00810	184.80
GLFP100	SAE AA 2 BOLT	.92	3000	-8	-6	4000	P102RU	1L00820	184.80
GLFP150	SAE AA 2 BOLT	1.57	3000	-8	-6	4000	P135RU	1L00830	184.80
GLFP200	SAE AA 2 BOLT	1.89	3000	-8	-6	4000	P104RU	1L00840	190.80
GLFP250	SAE AA 2 BOLT	2.36	3000	-8	-6	4000	P105RU	1L00850	190.80
GLFP460	SAE A 2 BOLT	3.86	3500	-12	-10	4000	P208RU	1L00870	248.40
GLFP592	SAE A 2 BOLT	5.08	3500	-12	-10	4000	P211RU	1L00880	248.40
GLFP694	SAE A 2 BOLT	6.59	3500	-12	-10	4000	P214RU	1L00890	258.00
GLFP935	SAE A 2 BOLT	8.86	3500	-16	-12	4000	P219RU	1L00900	266.40
GLFP1403	SAE A 2 BOLT	15.30	3000	-16	-12	2500	P233RU	1L00910	333.60

GRAND RAPIDS

TOLL FREE 1-800-968-0188
PHONE: (616) 949-8844
FAX: (616) 949-6598

KALKASKA

TOLL FREE 1-800-355-4338
PHONE: (616) 258-4338
FAX: (616) 258-2696