

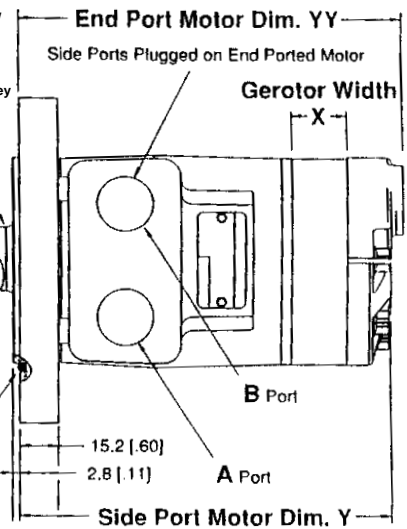
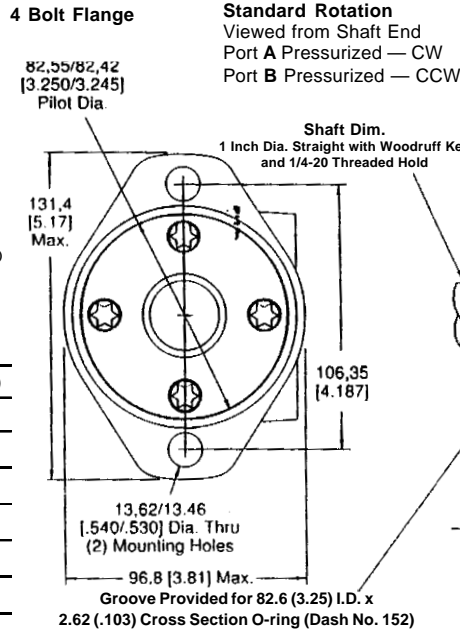
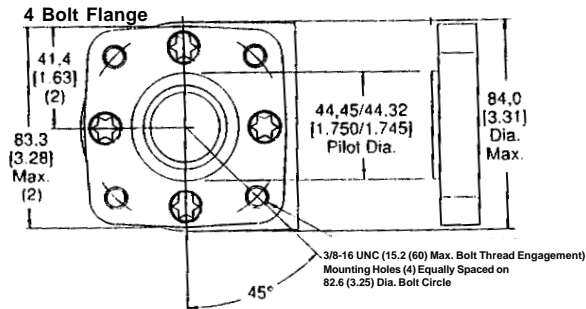
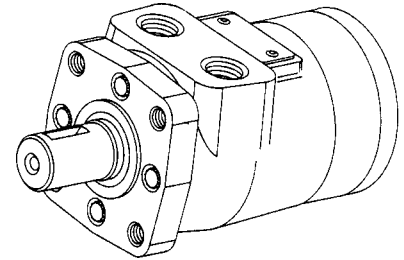
Char-Lynn[®] Hydraulic Motors



Low Speed High Torque Hydraulic Motors

GENERAL INFORMATION

Designed for medium duty applications. The industry proven spool valve design combined with the state-of-art gerotor provides an efficient, powerful motor in a small, compact package.



Displacement cu. cm./rev.	X Width mm (in.)	Y Length mm (in.)	YY Length mm (in.)
46 [2.8]	6,4 [.25]	132,6 [5.22]	138,9 [5.47]
74 [4.5]	10,2 [.40]	136,4 [5.37]	142,7 [5.62]
97 [5.9]	13,2 [.52]	139,4 [5.49]	145,8 [5.74]
159 [9.7]	21,9 [.86]	148,3 [5.84]	180,1 [7.09]
185 [11.3]	25,4 [1.00]	151,6 [5.97]	183,4 [7.22]
370 [22.6]	50,8 [2.00]	177,0 [6.97]	

Groove Provided for 82.6 (3.25) I.D. x 2.62 (.103) Cross Section O-ring (Dash No. 152)

SEAL KITS
#007 DESIGN CODE CJ01096 \$22.26
#008 DESIGN CODE CJ01550 \$26.33

MOUNTING FLANGES
2-BOLT CJ00850 \$46.61
4-BOLT CJ00900 \$39.95

HYDRAULIC MOTORS					ORDER INFORMATION	
DISPLACEMENT (CID)	DISPLACEMENT (CC)	MOUNTING FLANGE	PORT DIMENSIONS	REFERENCE	STOCK NUMBER	PRICE
2.8	46	4-BOLT STANDARD	.500-14 NPTF	101-1001	CH01300	261.60
4.5	74	4-BOLT STANDARD	.500-14 NPTF	101-1002	CH01350	268.80
5.9	97	4-BOLT STANDARD	.500-14 NPTF	101-1003	CH01400	277.10
9.7	159	4-BOLT STANDARD	.500-14 NPTF	101-1004	CH01450	298.70
11.3	185	4-BOLT STANDARD	.500-14 NPTF	101-1005	CH01500	310.00
22.6	370	4-BOLT STANDARD	.500-14 NPTF	101-1008	CH01550	381.10
5.9	97	4-BOLT STANDARD	.875-14 O-RING	101-1011	CH99900	273.00
11.3	185	4-BOLT STANDARD	.875-14 O-RING	101-1013	CH01200	305.90
2.8	46	2-BOLT STANDARD	.500-14 NPTF	101-1025	CH00400	267.80
4.5	74	2-BOLT STANDARD	.500-14 NPTF	101-1026	CH00500	275.00
5.9	97	2-BOLT STANDARD	.500-14 NPTF	101-1027	CH00600	283.30
9.7	159	2-BOLT STANDARD	.500-14 NPTF	101-1028	CH99900	304.90
11.3	185	2-BOLT STANDARD	.500-14 NPTF	101-1029	CH00800	316.20
22.6	370	2-BOLT STANDARD	.500-14 NPTF	101-1032	CH00900	387.30
2.8	46	2-BOLT STANDARD	.875-14 O-RING	101-1033	CH00050	263.70
4.5	74	2-BOLT STANDARD	.875-14 O-RING	101-1034	CH00100	270.90
5.9	97	2-BOLT STANDARD	.875-14 O-RING	101-1035	CH00150	279.20
9.7	159	2-BOLT STANDARD	.875-14 O-RING	101-1036	CH99900	300.80
22.6	370	2-BOLT STANDARD	.875-14 O-RING	101-1040	CH00300	383.20
OPTIONAL:		TYPE	REFERENCE	STOCK NUMBER	PRICE	
SEAL KITS:		Design Code #007	60023-000	CJ01096	22.26	
		Design Code #008	60540-000	CJ01550	26.33	
MOUNTING FLANGES:		2-Bolt	22000-001	CJ00850	46.61	
		4-Bolt	22000-002	CJ00900	39.95	

GRAND RAPIDS

TOLL FREE 1-800-968-0188
PHONE: (616) 949-8844
FAX: (616) 949-6598

KALKASKA

TOLL FREE 1-800-355-4338
PHONE: (616) 258-4338
FAX: (616) 258-2696