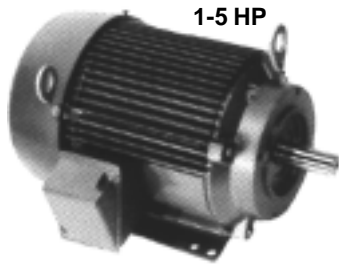
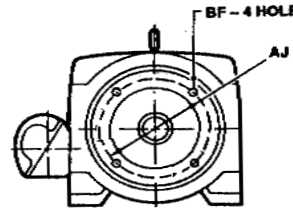
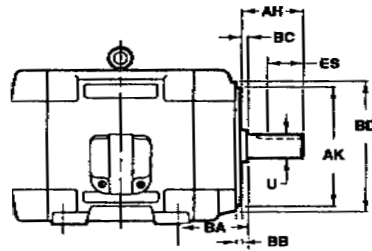


"WEG" ELECTRIC MOTORS

HYDRAULICS



1-5 HP



7 1/2 - 25 HP



- TEFC, C-FACE, RIGID BASE, 1.15 SF
- UNIBODY CAST IRON DESIGN

FRAME	U	AH	AJ	AK	BA	BB MIN.	BC	BD MAX.	BF	ES MIN.	SQ. KEY
56C	5/8	2-1/16	5-7/8	4-1/2	2-3/4	5/32	--	6-1/2	3/8-16x9/16	1-3/32	3/16
143TC, 145TC	7/8	2-1/8	5-7/8	4-1/2	2-3/4	5/32	1/8	6-1/2	3/8-16x9/16	1-13/32	3/16
182TC, 184TC	1-1/8	2-5/8	7-1/4	8-1/2	3-1/2	1/4	1/8	9	1/2-13x3/4	1-25/32	1/4
213TC, 215TC	1-3/8	3-1/8	7-1/4	8-1/2	4-1/4	1/4	1/4	9	1/2-13x3/4	2-13/32	5/16
254TC, 256TC	1-5/8	3-3/4	7-1/4	8-1/2	4-3/4	1/4	1/4	10	1/2-13x3/4	2-29/32	3/8
284TC	1-7/8	4-3/8	9	10-1/2	4-3/4	1/4	1/4	11-1/4	1/2-13x3/4	3-9/32	1/2

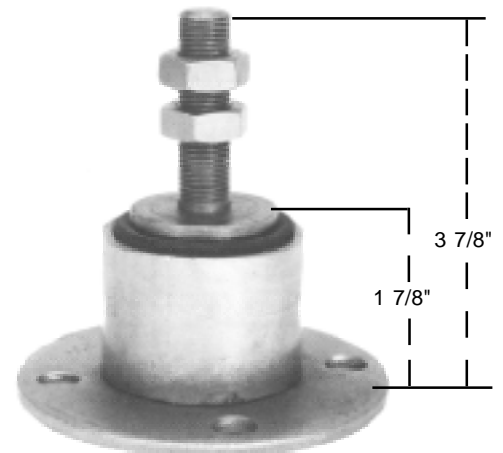
ELECTRIC MOTOR						ORDER INFORMATION	
HP	RPM	FRAME	ENCL.	VOLTAGE	MODEL NUMBER	STOCK NUMBER	PRICE
1	1800	56TC	230/460	230/460	953	WE00010	381.77
2	1800	145TC	230/460	230/460	218EP3E145TC	WE00013	482.43
3	1800	182TC	230/460	230/460	318EP3E182TC	WE00014	493.94
5	1800	184TC	230/460	230/460	518EP3E184TC	WE00015	675.43
7 -1/2	1800	213TC	230/460	230/460	718EP3E213TC	WE00016	620.60
10	1800	215TC	230/460	230/460	1018EP3E215TC	WE00017	964.90
15	1800	254TC	230/460	230/460	1518EP3E254TC	WE00018	1,391.20
20	1800	256TC	230/460	230/460	2018EP3E256TC	WE00019	1,783.73
25	1800	284TC	230/460	230/460	2518EP3E284TC	WE00020	2,085.30
30	1800	286TC	230/460	230/460	3018EP3E286TC	WE00021	1,874.37
40	1800	324TC	230/460	230/460	4018EP3E324TC	WE00022	2,761.00
50	1800	326TC	230/460	230/460	5018EP3E326TC	WE00023	4,380.00
60	1800	364TC	230/460	230/460	6018EP3E364TC	WE00024	4,667.00
75	1800	365TC	230/460	230/460	7518EP3E365TC	WE00025	5,341.00
100	1800	405TC	230/460	230/460	10018EP3E405TC	WE00026	7,100.00

SHOCK MOUNTS

HYDRAULICS

LOAD CAPACITY: 200 lbs.
 DIAMETER OF STUD: 1/2"
 BOLT HOLE CENTERS: 2 3/4"
 DIAMETER OF BOLT HOLES: 3/8"

SHOCK MOUNT	ORDER INFORMATION	
REFERENCE	STOCK NUMBER	PRICE
HC-SM-32	GS00010	42.00



GRAND RAPIDS

TOLL FREE 1-800-968-0188
 PHONE: (616) 949-8844
 FAX: (616) 949-6598

KALKASKA

TOLL FREE 1-800-355-4338
 PHONE: (616) 258-4338
 FAX: (616) 258-2696