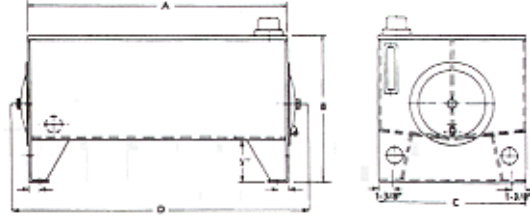
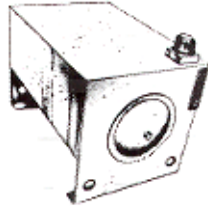


### HYDRO-CRAFT



#### GENERAL INFORMATION

Meets or exceeds all J.I.C. and ASLE standards. Scale free welding process is used. Fabricated from hot rolled steel plate and sheet, pickled and oiled, which eliminates the need for sand-blasting and subsequent residue. Single bolt end caps sized for maximum cleanout opening.

Sight Level Gauge is plated and has extra large sight area with non-breakable 2X magnifier. Combination oil level

and temperature gauge is standard. Temperature gauge features readings in centigrade and Fahrenheit.

Filler Breather Assembly is plated and guarded. It has a non-corrosive nylon strainer. Ten times the amount of air flow as comparable units now available.

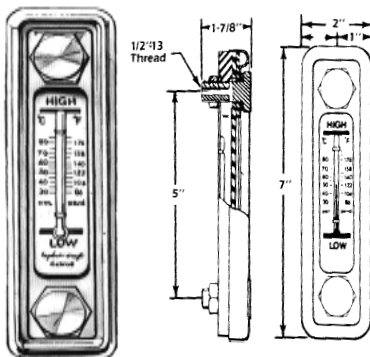
"L" Shaped Reservoirs come equipped with a full length piano hinge for opening lid and secure T-handle closure.

J.I.C. TANKS / HYDRAULIC RESERVOIR									ORDER INFORMATION	
GALLONS	A(L)	B(H)	C(W)	D	END COVER	ENDS	TOP	REFERENCE	STOCK NUMBER	PRICE
10	22	20	18	16	12	7ga.	7ga.	WC-10-10	GT00010	261.86
20	30	20	18	34	12	7ga.	7ga.	WC-20-20	GT00020	308.12
30	36	20	24	40-3/4	14	7ga.	7ga.	WC-30-30	GT00030	320.20
40	36	22	24	40-3/4	14	7ga.	7ga.	WC-40-40	GT00040	395.53
50	36	23	24	40-3/4	14	7ga.	7ga.	WC-50-50	GT00050	427.19
60	48	21	27	52-3/4	14	7ga.	7ga.	WC-60-60	GT00060	505.53
120	60	25-5/8	30	66	18	3/8	3/8	WC-120	GT00120	877.24

- OPTIONS: JUST ASK CUSTOMER SERVICE • Mounting Plates — Blank or Drilled & Tapped • Coupling Guards  
 • Additional Sight Gauge • Additional Filler Breather • Pipe Couplings — Whole or Half, SAE or NPT • Down Lines  
 • Interior Paint • Extra Drain • Drip Pans, Stands, & Overhead Stands

# TANK/HYDRAULIC RESERVOIR ACCESSORIES

### Sight Level Temperature Gauge



STOCK NO.  
GS00590

#### GENERAL INFORMATION

Can be installed from either inside or outside of tank and requires only 2 mounting holes. Now breakable 2X magnifier. Will withstand temperatures to 225°F.

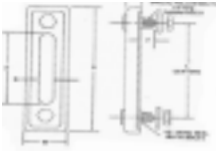
LEVEL TEMP. GAUGE		ORDER INFORMATION	
TEMP. RANGE	REFERENCE	STOCK NUMBER	PRICE
UP TO 225°F	HSG-55	GS00590	15.00

GRAND RAPIDS

TOLL FREE 1-800-968-0188  
 PHONE: (616) 949-8844  
 FAX: (616) 949-6598

KALKASKA

TOLL FREE 1-800-355-4338  
 PHONE: (616) 258-4338  
 FAX: (616) 258-2696

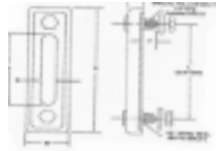


- TOP QUALITY
- SEALED BACK

### OIL LEVEL GAUGE



SIGHT GAUGE							ORDER INFORMATION		
L	H	W	C	E	F	G	REFERENCE	STOCK NUMBER	PRICE
5	6-5/8	2-1/32	23/32	3-7/8	3/4	13/16	550-5	LG00901	17.11
7	8-5/8	2-11/32	3/4	5-7/8	11/16	1	550-7	LG00903	26.77



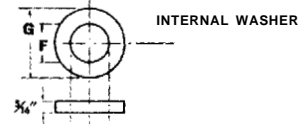
- TOP QUALITY
- SEALED BACK

### OIL LEVEL/TEMPERATURE SIGHT GAUGE



SIGHT GAUGE							ORDER INFORMATION		
L	H	W	C	E	F	G	REFERENCE	STOCK NUMBER	PRICE
3 1/4	4-13/16	2-1/32	23/32	2-7/32	3/4	25/32	T550-3	LG00895	18.90
5	6-5/8	2-1/32	23/32	3-7/8	3/4	13/16	T550-5	LG00900	18.73

### Reservoir Flanges — Return



#### GENERAL INFORMATION

Return flanges are designed to accommodate the return pipe to the tank. The parts can be quickly and easily installed on tanks.

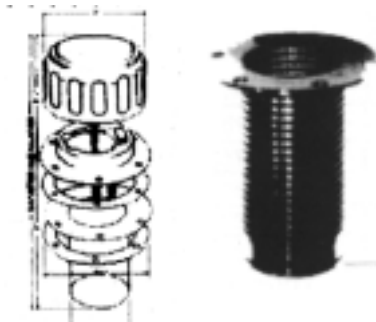


RESERVOIR FLANGE					ORDER INFORMATION	
PIPE SIZE	E	F	G	REFERENCE	STOCK NUMBER	PRICE
1/2"	1-7/16	53/64	3	HA-00-28-8P	GS00888	4.66
3/4"	1-7/16	1-1/32	3	HA-00-28-12-P	GS00890	4.66
1"	1-7/16	1-9/32	3	HA-00-28-16P	GS00891	4.66
1-1/4"	2-1/16	1-21/32	3	HA-00-28-20P	GS00892	4.66
1-1/2"	2-1/16	1-57/64	3	HA-00-28-24P	GS00893	4.66
2"	2-1/2	2-11/32	3	HA-00-28-32P	GS00894	4.66

### Filler Breather Cap

#### GENERAL INFORMATION

5 times greater filter air flow than standard units. 200 GPM or 26.7 CFM. Keeps reservoir fluids clean, protects and prolongs hydraulic system life! Includes chain.



FILLER BREATHER CAP				ORDER INFORMATION	
FILTRATION	GPM	CFM	REFERENCE	STOCK NUMBER	PRICE
40 MICRON	200	26.7	57XL-40	LG01025	9.78

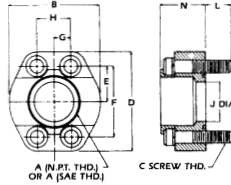
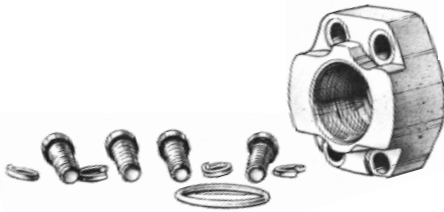
#### GRAND RAPIDS

TOLL FREE 1-800-968-0188  
PHONE: (616) 949-8844  
FAX: (616) 949-6598

#### KALKASKA

TOLL FREE 1-800-355-4338  
PHONE: (616) 258-4338  
FAX: (616) 258-2696

### 4-Bolt Solid Flanges

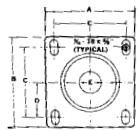
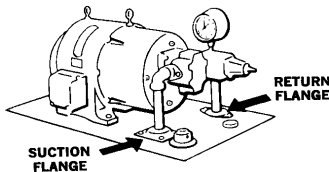


#### GENERAL INFORMATION

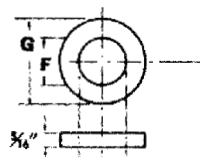
3000 psi internal pipe thread. Drilled holes. O-Ring. They are compatible with any SAE pumps or valves. They allow for removing pump or filter without disturbing piping.

4-BOLT FLANGE											ORDER INFORMATION		
A	B	C	D	E	F	G	H	J	L	N	REFERENCE	STOCK NUMBER	PRICE
3/4	2.06	3/8-16	2.56	.93	1.875	.43	.875	3/4	.53	1.25	HCFT-12-12	GS01000	19.60
1	2.31	3/8-16	2.75	1.03	2.062	.52	1.032	1	.66	1.38	HCFT-16-16	GS01015	21.22
1 1/4	2.88	7/16-14	3.12	1.16	2.312	.59	1.188	1 1/4	.84	1.50	HCFT-20-20	GS01030	24.50
1 1/2	3.25	1/2-13	3.69	1.38	2.75	.70	1.406	1 1/2	.73	1.62	HCFT-24-24	GS01045	27.74
2	3.81	1/2-13	4.00	1.53	3.062	.84	1.688	2	.73	1.62	HCFT-32-32	GS01060	35.90
2 1/2	4.28	1/2-13	4.50	1.75	3.50	1.00	2.00	2.50	.86	2.00	HCFT-40-40	GS01075	52.30
3	5.16	5/8-11	5.31	2.09	4.188	1.22	2.438	3.00	.98	2.25	HCFT-48-48	GS01090	71.70

### Reservoir Flanges — Suction



#### INTERNAL WASHERS



#### GENERAL INFORMATION

Suction flanges are designed for the suction pipe line of the reservoir and are installed on top of the tank as shown in the left diagram.

SUCTION FLANGE									ORDER INFORMATION	
PIPE SIZES	A	B	C	D	E	F	G	REFERENCE	STOCK NUMBER	PRICE
1/2"	5-1/4	5-1/2	4-1/4	2-1/8	1-7/16	5-3/64	3	HA-00-04-8P	GS00896	6.90
3/4"	5-1/4	5-1/2	4-1/4	2-1/8	1-7/16	1-1/32	3	HA-00-40-12P	GS00890	6.90
1"	5-1/4	5-1/2	4-1/4	2-1/8	1-7/16	1-9/32	3	HA-00-40-16P	GS00898	6.90
1-1/4"	5-1/4	5-1/2	4-1/4	2-1/8	2-1/16	1-21/32	3	HA-00-40-20P	GS00900	6.90
1-1/2"	7-1/4	7-1/2	6-1/4	3-1/8	2-1/16	1-57/64	3	HA-00-60-24P	GS00920	19.00
2"	7-1/4	7-1/2	6-1/4	3-1/8	2-1/2	2-11/32	3	HA-00-60-32P	GS00922	19.00
2-1/2"	7-1/4	7-1/2	6-1/4	3-1/8	3-1/16	2-27/32	4-1/4	HA-00-60-40P	GS00925	19.00
3"	7-1/4	7-1/2	6-1/4	3-1/8	3-3/4	3-15/32	4-1/4	HA-00-60-48P	GS00930	19.00

GRAND RAPIDS

TOLL FREE 1-800-968-0188  
PHONE: (616) 949-8844  
FAX: (616) 949-6598

KALKASKA

TOLL FREE 1-800-355-4338  
PHONE: (616) 258-4338  
FAX: (616) 258-2696