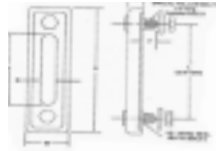


- TOP QUALITY
- SEALED BACK

OIL LEVEL GAUGE



SIGHT GAUGE							ORDER INFORMATION		
L	H	W	C	E	F	G	REFERENCE	STOCK NUMBER	PRICE
5	6-5/8	2-1/32	23/32	3-7/8	3/4	13/16	550-5	LG00901	17.11
7	8-5/8	2-11/32	3/4	5-7/8	11/16	1	550-7	LG00903	26.77



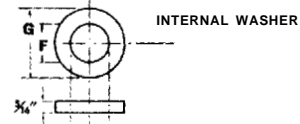
- TOP QUALITY
- SEALED BACK

OIL LEVEL/TEMPERATURE SIGHT GAUGE



SIGHT GAUGE							ORDER INFORMATION		
L	H	W	C	E	F	G	REFERENCE	STOCK NUMBER	PRICE
3 1/4	4-13/16	2-1/32	23/32	2-7/32	3/4	25/32	T550-3	LG00895	18.90
5	6-5/8	2-1/32	23/32	3-7/8	3/4	13/16	T550-5	LG00900	18.73

Reservoir Flanges — Return



GENERAL INFORMATION

Return flanges are designed to accommodate the return pipe to the tank. The parts can be quickly and easily installed on tanks.

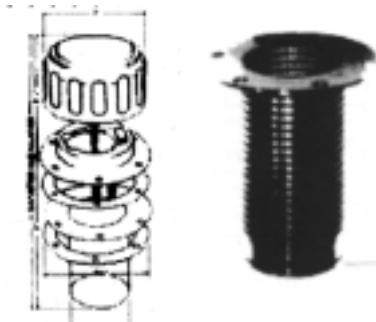


RESERVOIR FLANGE					ORDER INFORMATION	
PIPE SIZE	E	F	G	REFERENCE	STOCK NUMBER	PRICE
1/2"	1-7/16	53/64	3	HA-00-28-8P	GS00888	4.66
3/4"	1-7/16	1-1/32	3	HA-00-28-12-P	GS00890	4.66
1"	1-7/16	1-9/32	3	HA-00-28-16P	GS00891	4.66
1-1/4"	2-1/16	1-21/32	3	HA-00-28-20P	GS00892	4.66
1-1/2"	2-1/16	1-57/64	3	HA-00-28-24P	GS00893	4.66
2"	2-1/2	2-11/32	3	HA-00-28-32P	GS00894	4.66

Filler Breather Cap

GENERAL INFORMATION

5 times greater filter air flow than standard units. 200 GPM or 26.7 CFM. Keeps reservoir fluids clean, protects and prolongs hydraulic system life! Includes chain.



FILLER BREATHER CAP				ORDER INFORMATION	
FILTRATION	GPM	CFM	REFERENCE	STOCK NUMBER	PRICE
40 MICRON	200	26.7	57XL-40	LG01025	9.78

GRAND RAPIDS

TOLL FREE 1-800-968-0188
PHONE: (616) 949-8844
FAX: (616) 949-6598

KALKASKA

TOLL FREE 1-800-355-4338
PHONE: (616) 258-4338
FAX: (616) 258-2696