

TWO HAND CONTROL

PNEUMATICS

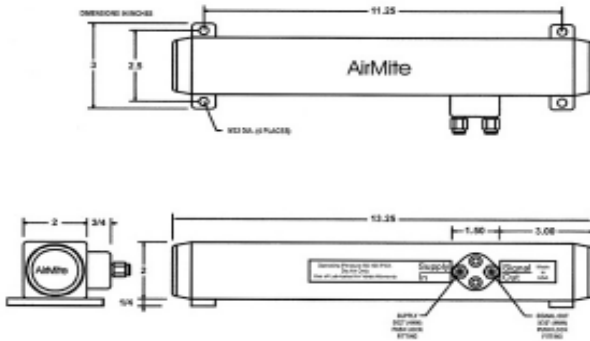
FEATURES:

- The pre-assembled two-hand control enclosure occupies both hands of an operator by requiring nearly simultaneous operation of two push-buttons.
- Poppet - snap-acting (no spools).
- Same air as in cylinders - Filtration: 40 micron.
- No lubrication required.



PNEUMATIC AUTOMATION COMPONENTS

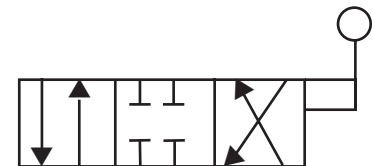
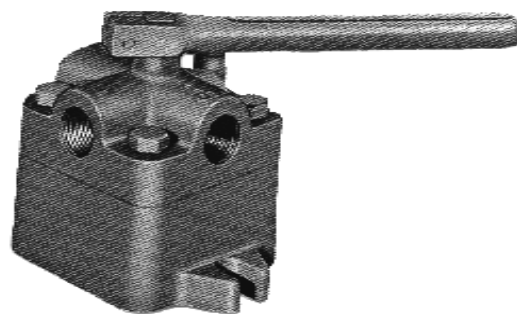
Part number: SC3000



HAND VALVES

PNEUMATICS

FOUNDRY TOUGH DISC TYPE



INFORMATION AND APPLICATION

This four way valve has two cycles of operation and is generally used to actuate cylinders. It is fitted with grease cups to lubricate lapped surfaces. These valves are practically indestructible and have a great record for: efficiency, trouble-free operation, freedom from leakage and pressure loss, and long service life.

HAND VALVE DESCRIPTION				ORDER INFORMATION	
PORT SIZE	MAX PSI	TYPE	REFERENCE	STOCK NUMBER	PRICE
1/4"	250	H4A2	NQ80002	NQ80002	47.80
3/8"	250	H4A3	NQ80003	NQ80003	65.00
1/2"	250	H4A4	NQ80004	NQ80004	65.00

GRAND RAPIDS
TOLL FREE 1-800-968-0188
PHONE: (616) 949-8844
FAX: (616) 949-6598

KALKASKA
TOLL FREE 1-800-355-4338
PHONE: (616) 258-4338
FAX: (616) 258-2696

PORT HURON
TOLL FREE 1-800-583-1818
FAX: (810) 982-0501

CANADA
PHONE: (905) 332-1500
FAX: (905) 332-9122